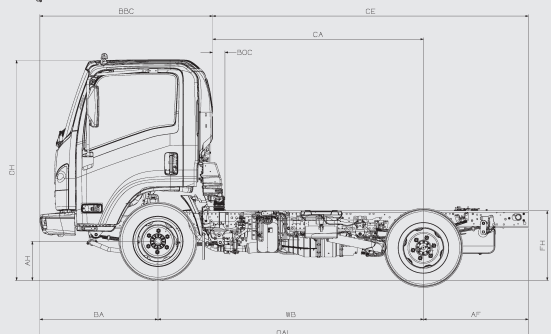
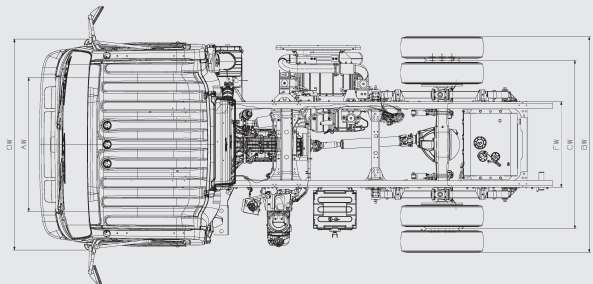


NQR DIESEL

STANDARD CAB



GVWR/GCWR	17,950/23,950 lbs.
BODY/PAYLOAD ALLOWANCE	10,939-11,461 lbs.
GAWR	
Front	6,830 lbs.
Rear	12,980 lbs.
FRONT AXLE CAPACITY	6,830 lbs.
REAR AXLE CAPACITY	14,550 lbs.
Ratio	5.125
SUSPENSION F/R SPRINGS	Tapered/Multi-Leaf
Capacity	8,440/14,550 lbs.
FRAME	
Section Modulus	7.20 in. ³
Resistance Bending Moment	316,800 lb.-in.
SERVICE BRAKES	Hydraulic Boosted with
Front/Rear	4-Channel ABS Disc/Drum
EXHAUST BRAKE	Standard
TRANSMISSION	Aisin A465id 6-speed auto.
	with double overdrive
	and lock-up 2 nd -6 th gears
ENGINE	Isuzu 4HK1-TC turbocharged
	intercooled diesel
Displacement	5.2L (317 in. ³)
Engine Power	215 hp @ 2,500 rpm
Engine Torque	452 lb.-ft. @ 1,850 rpm
OIL LEVEL INDICATOR	Dash-mounted oil level
	check switch and light
LIMITED SLIP DIFFERENTIAL	Optional
ALTERNATOR	140-amp
BATTERIES	2 Maintenance-Free
	750-CCA
TIRES LRR (Low Rolling Resistance)	225/70R19.5F (12-pr) Standard
STEERING	Integral Hydraulic Power
STEERING COLUMN	Tilt and Telescopic
FUEL TANK	
Standard	30 gal. in-rail
Optional	33 gal. side mount
	(176" WB Only)
FUEL/WATER SEPARATOR	Dual fuel filter with dash
	mounted indicator light



NQR								
Wheelbase (in.)	Cab to Axle (in.)	Cab to End of Frame (in.)	Back of Cab (in.)	Overall Length (in.)	Overall Width (in.)	Axle Width (in.)	Overall Height (in.)	Body Length (ft.)
109.0	86.5	129.6	7.7	200.5	81.3	65.6	92.4	10-12
132.5	110.0	153.1	7.7	224.0	81.3	65.6	92.4	14
150.0	127.5	170.6	7.7	241.5	81.3	65.6	92.4	16-18
176.0	153.5	196.6	7.7	267.5	81.3	65.6	92.4	18-20
200.0	177.5	220.6	7.7	291.5	81.3	65.6	92.4	22